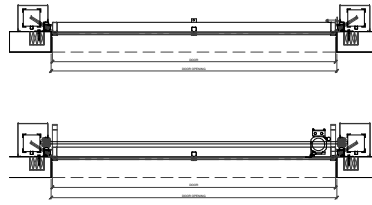
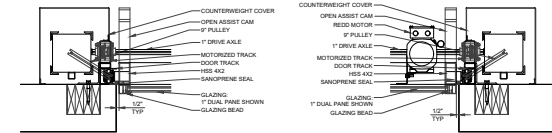




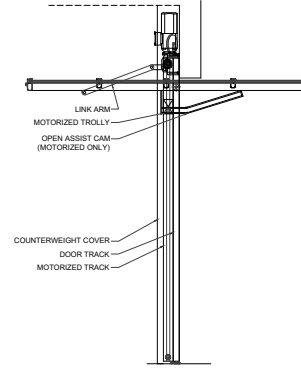
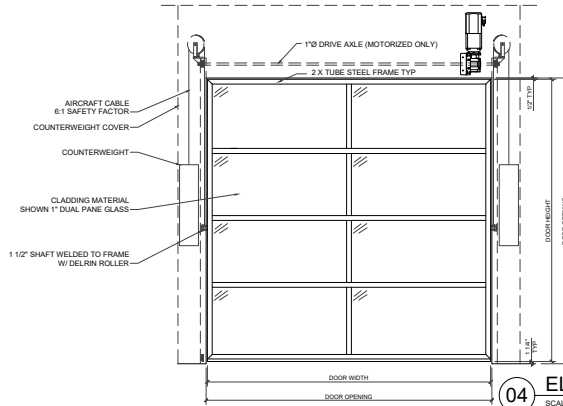
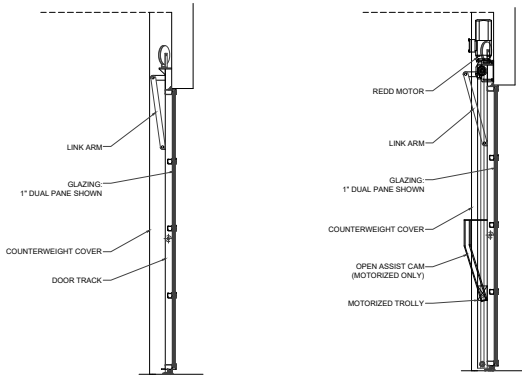
03 DOOR JAMB NON-MOTORIZED
SCALE: 1-1/2" = 1'



02 DOOR PLAN MOTORIZED & NON
SCALE: 1/2" = 1'



01 DOOR JAMB MOTORIZED
SCALE: 1-1/2" = 1'



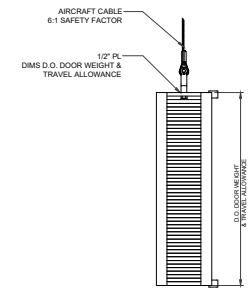
04 ELEVATION & SECTIONS MOTORIZED & NON
SCALE: 1/2" = 1'

GLAZING OPTIONS:

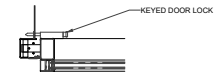
- 1/4" to 1" POLYCARBONATE
- 1/4" to 1" LAMINATED
- 1/4" to 1" TEMPERED
- 1" INSULATED

COLOR / FINISH OPTIONS:

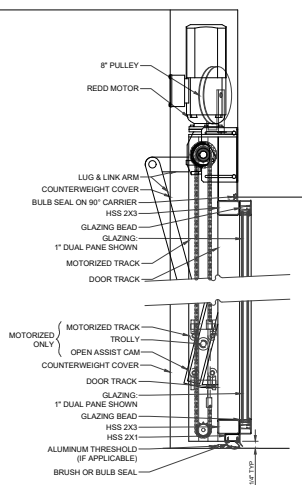
- POWDER COATING
- CUSTOM COLOR MATCHING
- CUSTOM CLADDING



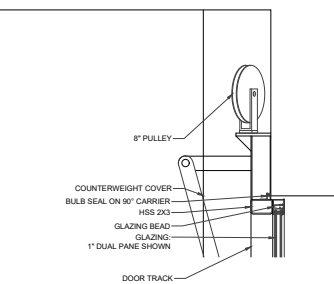
08 COUNTERWEIGHT TYP
SCALE: 1-1/2" = 1'



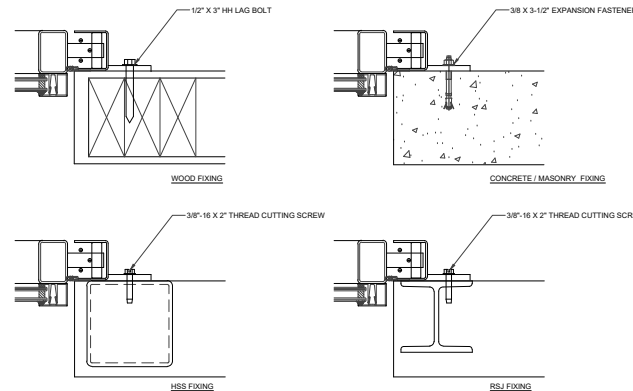
09 LOCK TYP (MANUAL ONLY)
SCALE: 1-1/2" = 1'



06 DOOR HEAD - SILL TYP
SCALE: 1-1/2" = 1'



05 DOOR HEAD NON MOTORIZED
SCALE: 1-1/2" = 1'



07 FIXING DETAILS TYP
SCALE: 3" = 1'

DISCLAIMER
THE DESIGNS AND DETAILS HEREIN ARE THE PROPERTY OF RENLITA DOORS NORTH AMERICA. USE IS GRANTED FOR THE SOLE PURPOSE OF INTEGRATION OF OUR PRODUCT INTO YOUR PROJECT. DRAWINGS ARE TYPICAL IN NATURE AND FOR REFERENCE ONLY, AND SHOULD BE REGARDED AS SUCH, DUE TO THE CUSTOM NATURE OF OUR PRODUCT SPECIFIC CONFIGURATIONS AND DIMENSIONS MAY VARY.

RENLITA
P.O. Box 8
200 E. First Street
Bonham, Texas 75418
Phone: 903-308-3690
www.renlitausa.com

Project:	FL0AT TYPICAL
Project No.:	-
Client:	-
Issue Date:	-
Issue Rev. Date:	2/13/26
Drawn By:	JDC
Checked By:	-
Project No.:	FLT