



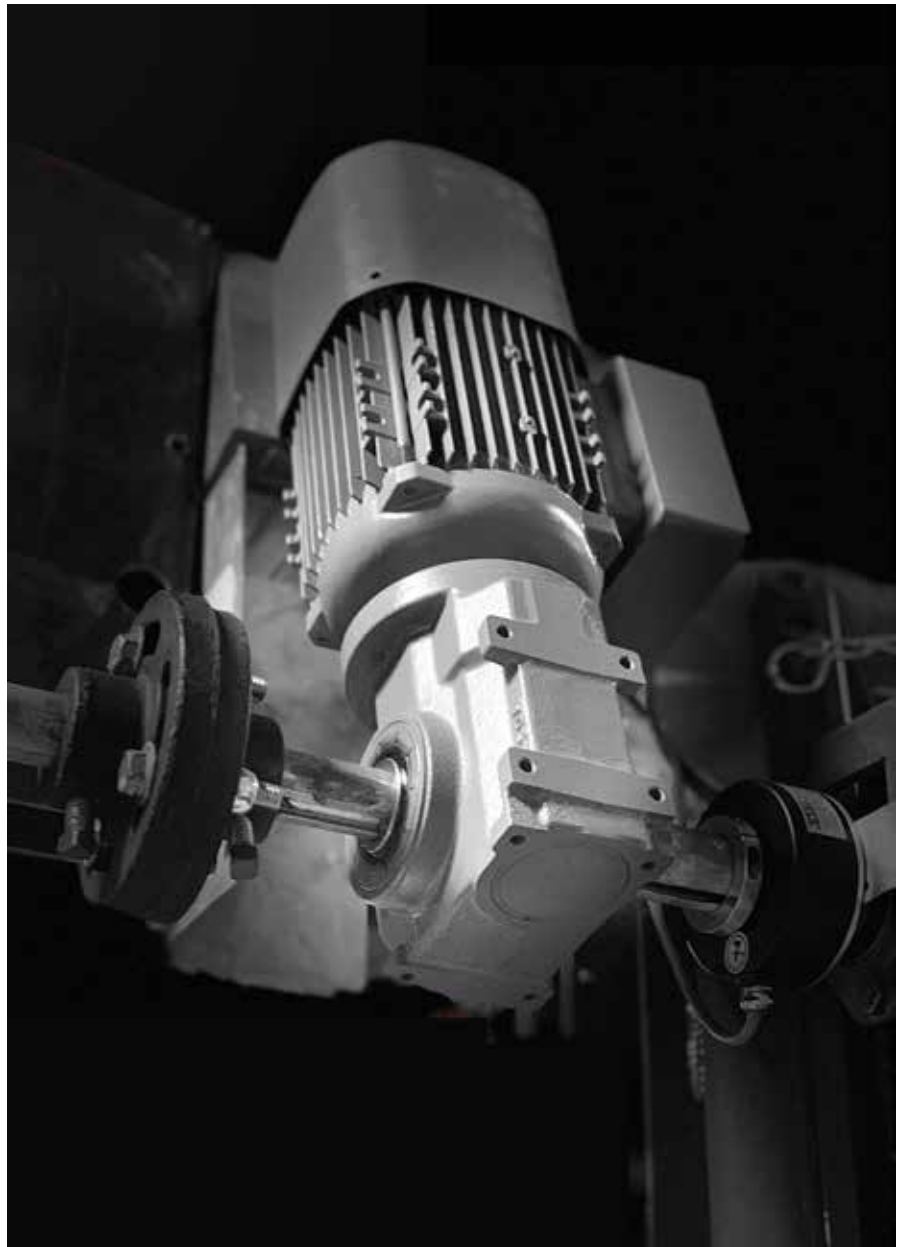
RENLITA

Custom Opening Solutions

Renlita Custom Opening Solutions' REDD HD™ motor is a 1 horsepower system designed for the needs of Renlita Opening Systems. RED HD is quiet, powerful and comes equipped with the highest safety standards in the market. The REDD HD motor serves as a replacement for under performing, outdated motors of the past. REDD™ is programmable through a smart phone which makes installation and maintenance easy.

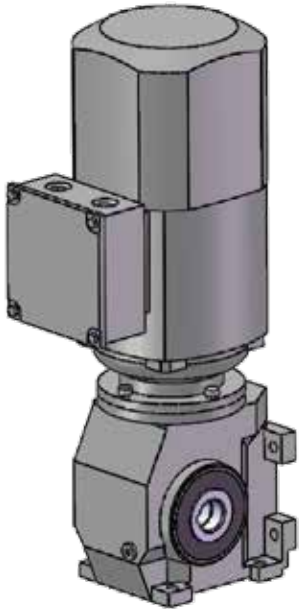
Also including REDD Alert™, an upgraded obstruction sensing feature that increases safety and door operations.

Made In The USA

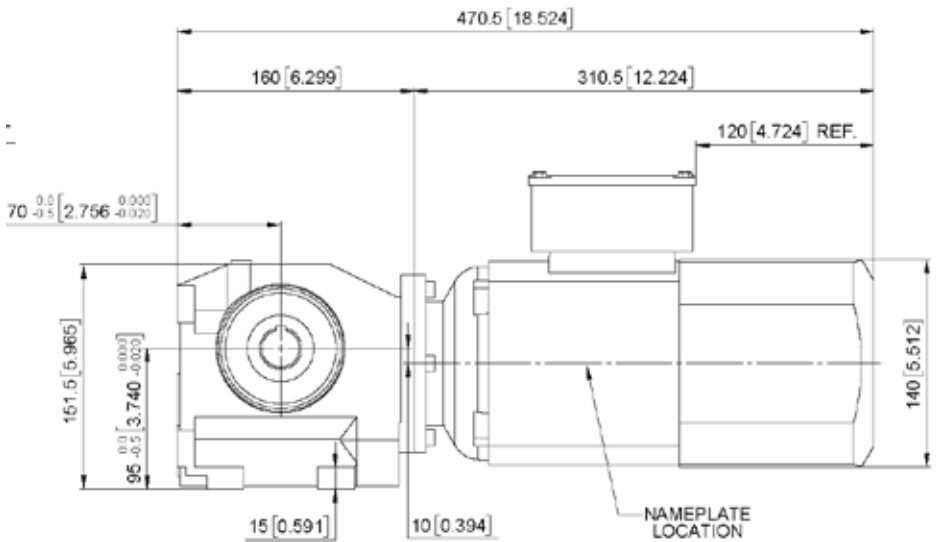
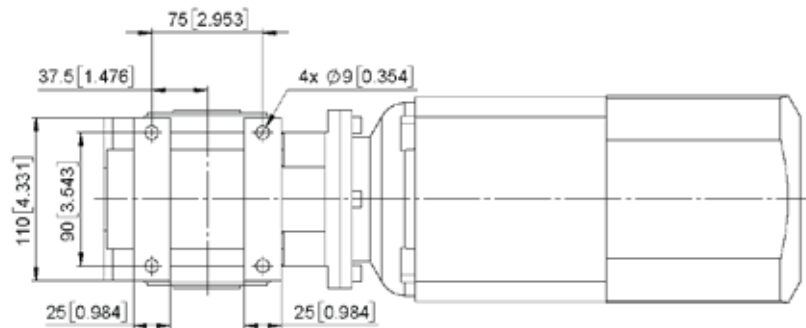
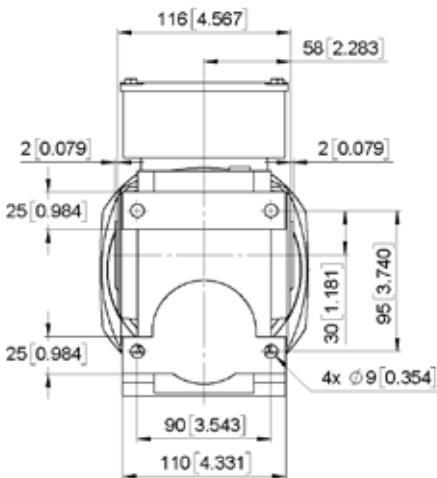
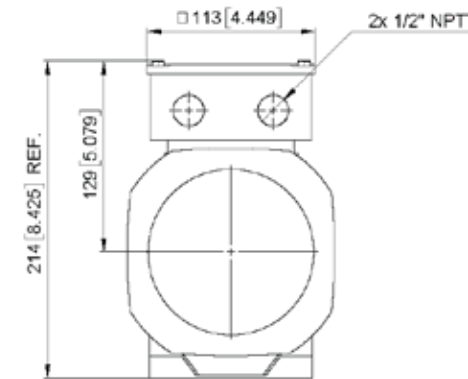


Specifications

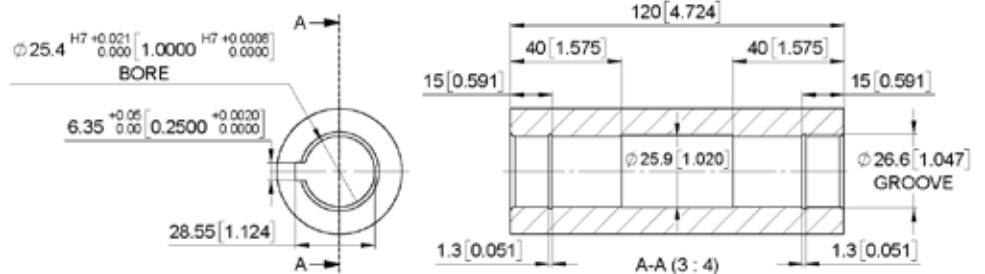
REDD HD



Helical worm geared motor
 Output speed: 43 rpm
 Torque: 1200lb.in.
 Gear coefficient: 1.10
 Ratio: 39.36
 Hollow shaft with keyway $\varnothing 1$ in
 Lubricant: 0.85 L CLP VG680 Mineraloil
 Nominal power: 1.0HP S3-60%
 Motor speed: 1690 rpm
 $\cos\phi$: 0.68
 Insulation class: 155
 Protection standard: IP54
 Paint: normal, RAL9005 black Weight: ~20 kg (45 lbs)

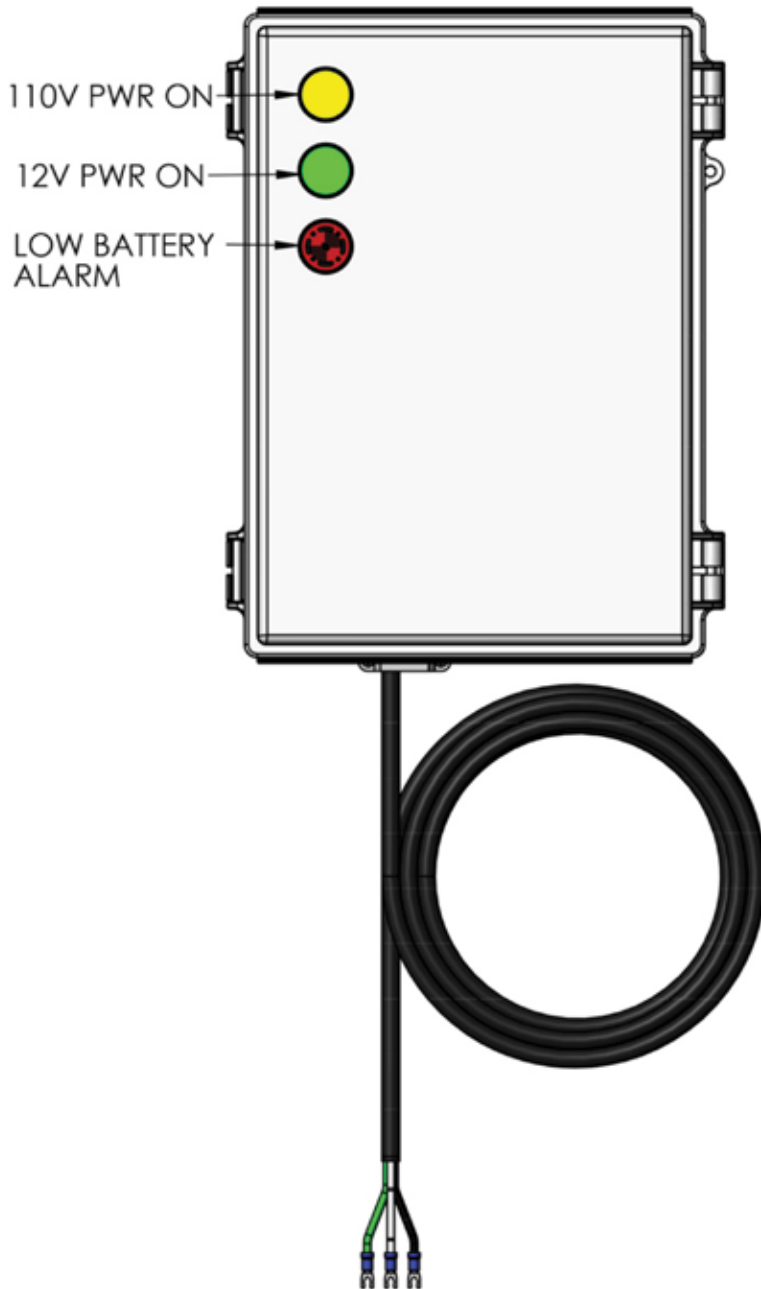


OUTPUT SHAFT DIMENSIONS



Battery Backup

REDD



REDD Battery Backup

Width - 10.5"

Height - 14"

Depth - 7.5"

Specifications

- 1 Year Limited Warranty
- Automatic Charger/ Tender
- Alarms (Audio+Visual)
- Intended to provide at least one full cycle

The Redd™ Battery Backup integrates seamlessly with the Redd HD Motor System to provide a power source in the event of power loss to the building. An integrated charger and battery tender ensures that your battery will be fully charged to provide at least one full operating cycle* when you need it the most. Low power warnings are provided to alert you in the event of a faulty or declining battery.

*One full cycle represents one opening and one closing of the system. Battery backup capability is limited by door size, weight, and capability of battery. Battery should be replaced every 12 months for best performance

Touchscreen

Control



Feature Packed Touchscreen

The Renlita touchscreen control station displays easy, user-friendly, and intuitive controls that can be locked behind a custom PIN code for high security applications. Designed for easy installation and seamless integration into any interior design or application. Control of the system can also be integrated with 3rd party building automation systems using RS485 connections at the motor controller box.

Specifications

- Proprietary quick connect to control box
- Full-color touchscreen
- Optional PIN code lock
- Single gang wall plate size
- Can integrate with control/automation systems via the controller box

