



RENLITA

Custom Opening Solutions

Renlita Custom Opening Solutions' REDD LD motor is a 1/2 horsepower system designed for the Sovereign systems. REDD LD is ultra-quiet and compatible with our touchscreen control and REDD Alert obstruction sensing. It also has an optional battery backup feature in case of power loss.

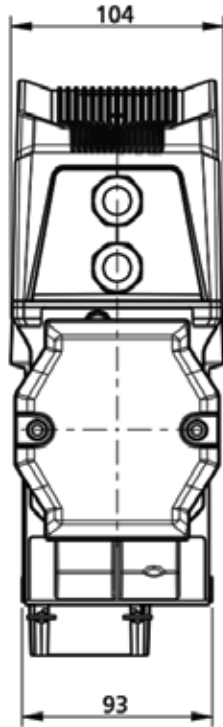
Compared to our REDD HD, the REDD LD is a lighter-duty and more cost-effective option for the Sovereign system.

Made In The USA

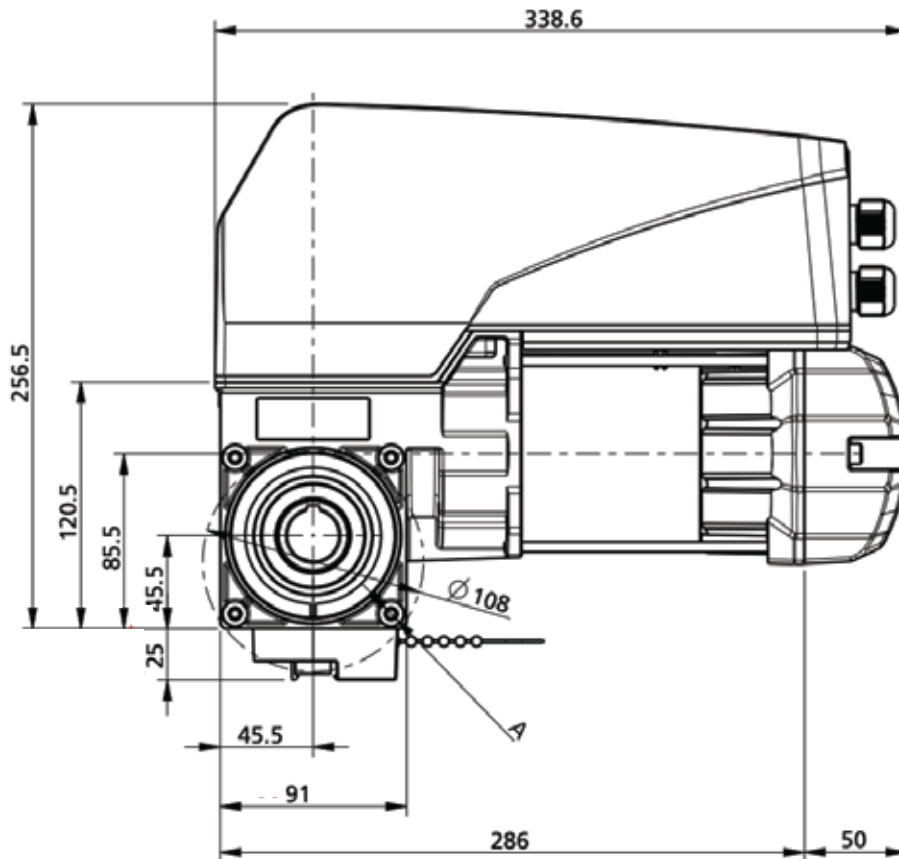
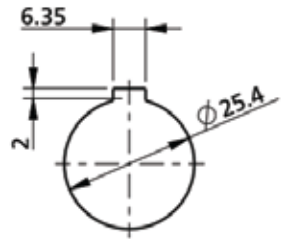


Specifications

REDD LD



Weight: 26.7 lbs
Dimensions: 4.1 x 10.9 x 14.1 (in)
Output speed: 24 rpm
Static Holding Torque: 1346 lbs
Torque: 309.776lb in
Shaft Diameter: 1" (inch)
Horsepower: 1/2 HP
Emergency Operation: Quick Release



Touchscreen

Control



Feature Packed Touchscreen

The Renlita touchscreen control station displays easy, user-friendly, and intuitive controls that can be locked behind a custom PIN code for high security applications. Designed for easy installation and seamless integration into any interior design or application. Control of the system can also be integrated with 3rd party building automation systems using RS485 connections at the motor controller box.

Specifications

- Proprietary quick connect to control box
- Full-color touchscreen
- Optional PIN code lock
- Single gang wall plate size
- Can integrate with control/automation systems via the controller box

